



US00D504889S

(12) **United States Design Patent** (10) **Patent No.:** **US D504,889 S**
Andre et al. (45) **Date of Patent:** **** May 10, 2005**

(54) **ELECTRONIC DEVICE**

(75) Inventors: **Bartley K. Andre**, Menlo Park, CA (US); **Daniel J. Coster**, San Francisco, CA (US); **Daniele De Iuliis**, San Francisco, CA (US); **Richard P. Howarth**, San Francisco, CA (US); **Jonathan P. Ive**, San Francisco, CA (US); **Steve Jobs**, Palo Alto, CA (US); **Shin Nishibori**, San Francisco, CA (US); **Duncan Robert Kerr**, San Francisco, CA (US); **Matthew Dean Rohrbach**, San Francisco, CA (US); **Douglas B. Satzger**, Menlo Park, CA (US); **Calvin Q. Seid**, Palo Alto, CA (US); **Christopher J. Stringer**, Portola Valley, CA (US); **Eugene Anthony Whang**, San Francisco, CA (US); **Rico Zörkendörfer**, San Francisco, CA (US)

(73) Assignee: **Apple Computer, Inc.**, Cupertino, CA (US)

(**) Term: **14 Years**

(21) Appl. No.: **29/201,636**

(22) Filed: **Mar. 17, 2004**

(51) **LOC (7) Cl.** **14-02**

(52) **U.S. Cl.** **D14/341**

(58) **Field of Search** D14/341-346, D14/374, 424; D19/26, 59, 60; 345/104, 156, 168, 173; 434/307 R, 308, 309, 317; 178/18.03; 349/12

(56) **References Cited**

U.S. PATENT DOCUMENTS

D345,346 S * 3/1994 Alfonso et al. D14/341

D396,452 S * 7/1998 Naruki D14/424
D451,505 S * 12/2001 Iseki et al. D14/341
D453,333 S * 2/2002 Chen D14/374
D458,252 S * 6/2002 Palm et al. D14/343

OTHER PUBLICATIONS

Andre et al., U.S. Appl. No. 29/180,558 entitled "Electronic Device", filed Mar. 17, 2004.

"HP Compaq Tablet PC tc1100", downloaded Aug. 27, 2004.

"Tablet PC V1100", downloaded Aug. 27, 2004.

"ViewPad 1000", downloaded Aug. 27, 2004.

* cited by examiner

Primary Examiner—Freda S. Nunn

(74) *Attorney, Agent, or Firm*—Beyer Weaver & Thomas, LLP

(57) **CLAIM**

We claim the ornamental design for an electronic device, substantially as shown and described.

DESCRIPTION

FIG. 1 is a top perspective view of an electronic device in accordance with the present design;

FIG. 2 is a bottom perspective view thereof;

FIG. 3 is a top view thereof;

FIG. 4 is a bottom view thereof;

FIG. 5 is a left side view thereof;

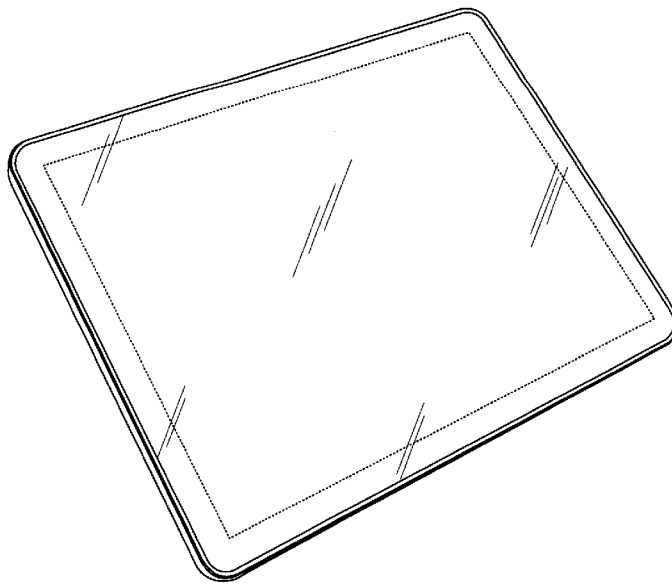
FIG. 6 is a right side view thereof;

FIG. 7 is an upper side view thereof;

FIG. 8 is a lower side view thereof; and,

FIG. 9 is an exemplary diagram of the use of the electronic device thereof the broken lines being shown for illustrative purposes only and form no part of the claimed design.

1 Claim, 4 Drawing Sheets



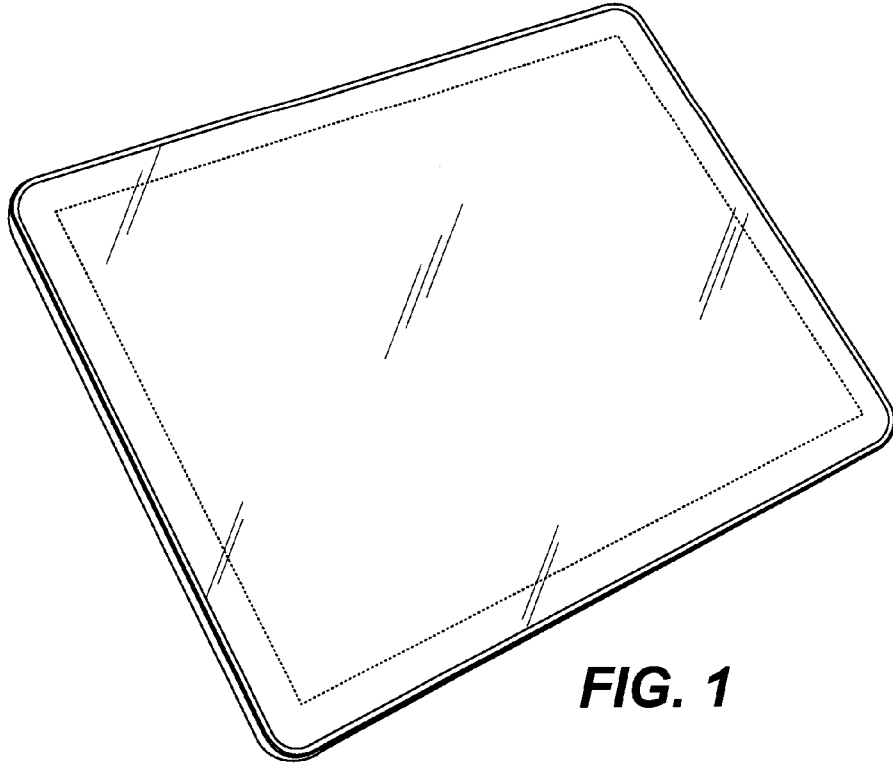


FIG. 1

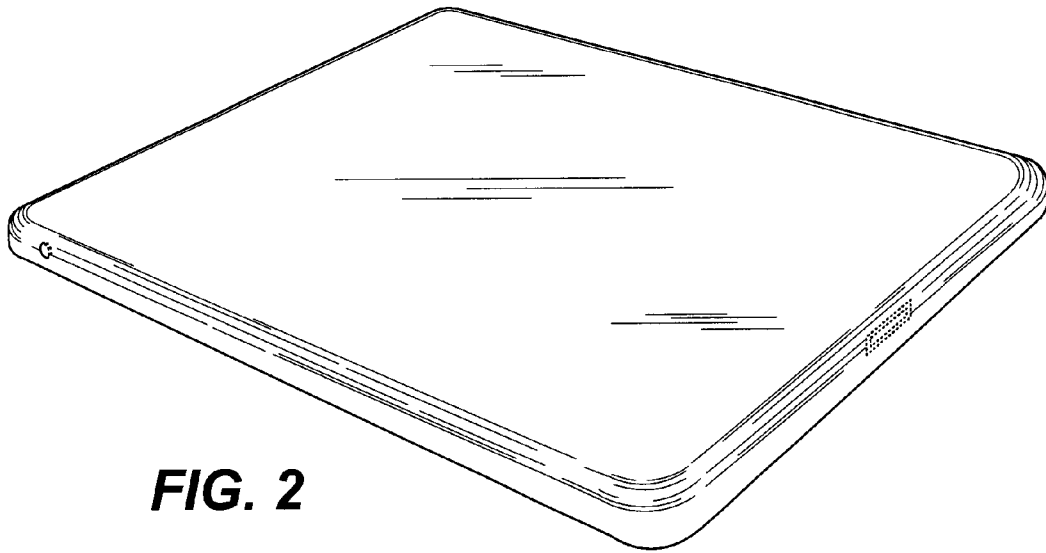


FIG. 2

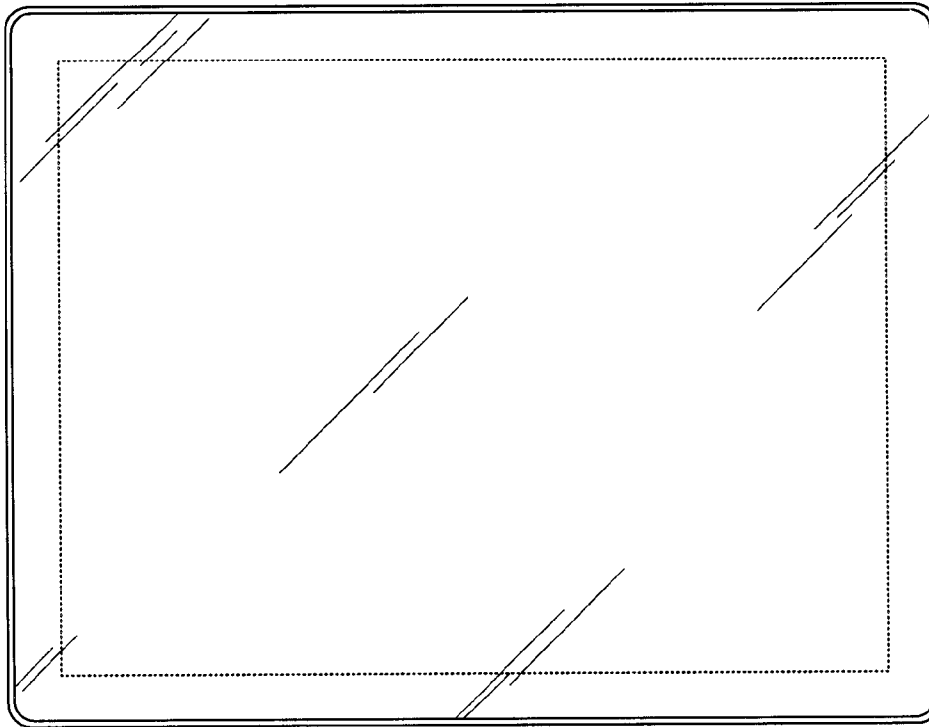


FIG. 3

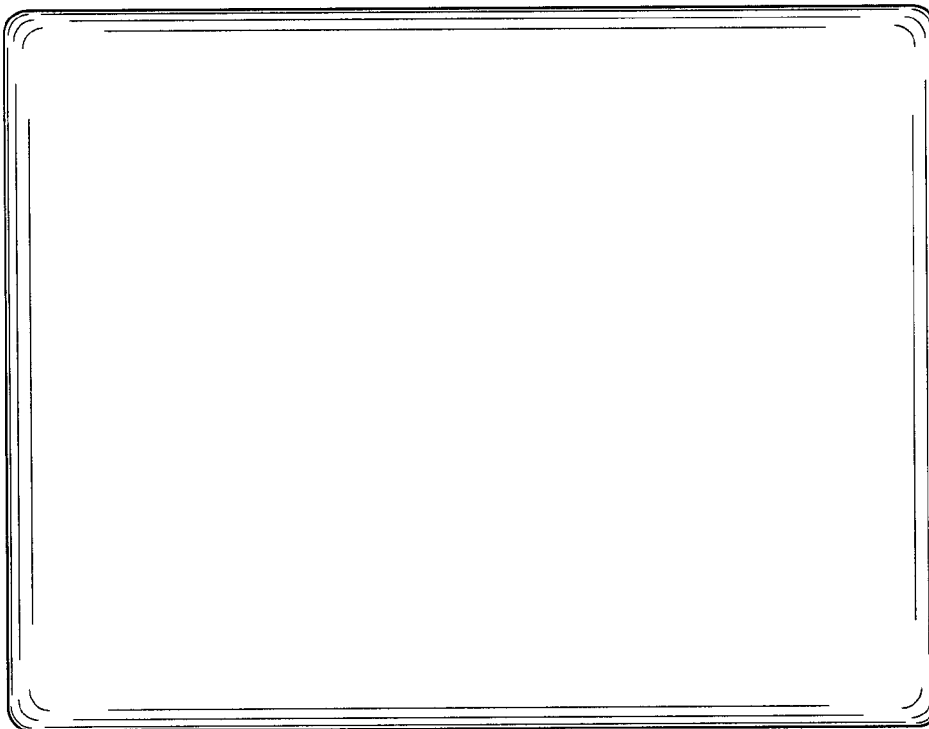


FIG. 4



FIG. 5



FIG. 6



FIG. 7



FIG. 8

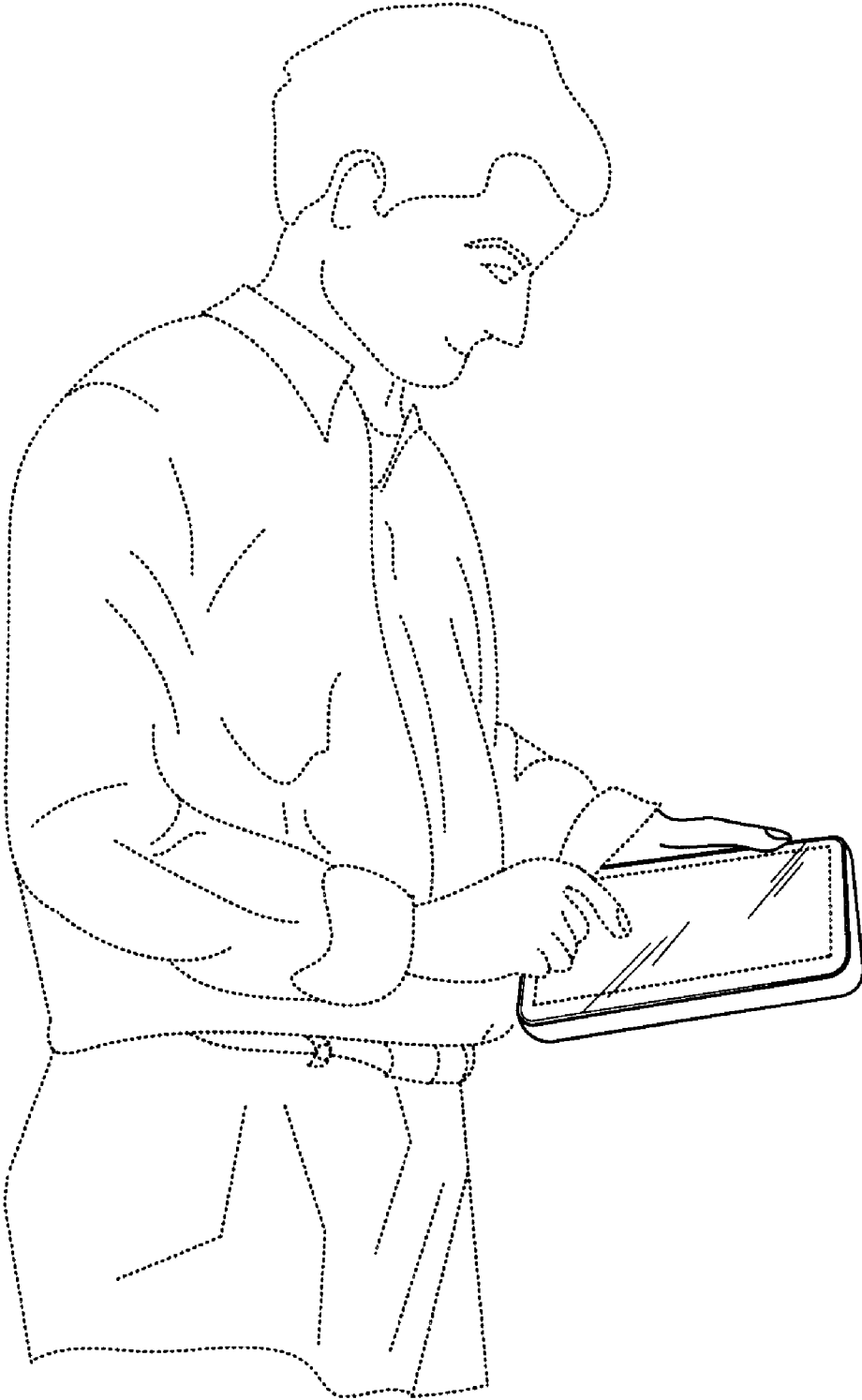


FIG. 9